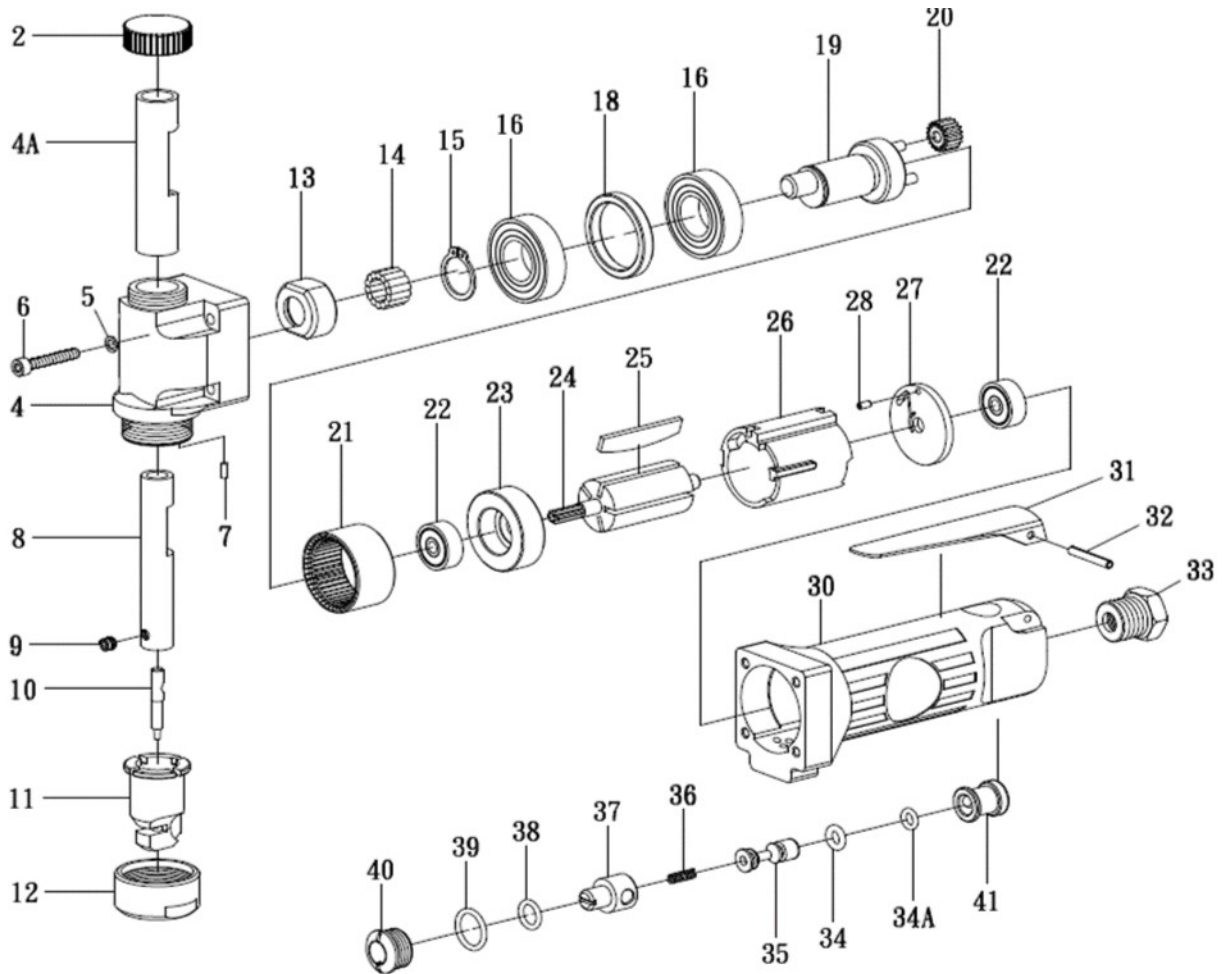


APT660 - Nibbler



Ref	PCL Part No	Description	Qty
2	APS660/2	Head cap	1
4	APS660/4	Head including bushing	1
5	APS660/5	Washer	4
6	APS660/6	Screw	4
7	APS660/7	Pin	1
8	APS660/8	Slide pin	1
9	APS660/9	Set screw	1
10	APS660/PCH	Punch	1
11	APS660/DPH	Die	1
12	APS660/12	Lock nut	1
13	APS660/13	Cam	1
14	APS660/14	Needle roller	13
15	APS660/15	Retaining ring	1
16	APS660/16	Ball bearing	2
18	APS660/18	Spacer	1
19	APS660/19	Crank shaft	1
20	APS660/20	Idler gear	3
21	APS660/21	Internal gear	1
22	APS660/22	Ball bearing	2

Ref	PCL Part No	Description	Qty
23	APS660/23	Front end plate	1
24	APS660/24	Rotor	1
25	APS660/25	Rotor blades	5
26	APS660/26	Cylinder	1
27	APS660/27	Rear end plate	1
28	APS660/28	Pin	1
30	APS660/30	Motor housing	1
31	APS660/31	Throttle lever	1
32	APS660/32	Lever pin	1
33	APS660/33	Inlet bushing	1
34	APS660/34	O-Ring	1
35	APS660/35	Valve stem	1
36	APS660/36	Valve spring	1
37	APS660/37	Air regulator	1
38	APS660/38	O-ring	1
39	APS660/39	O-ring	1
40	APS660/40	Throttle valve plug	1
41	APS660/41	Bushing	1
42	APS660/42	Bushing including head	1