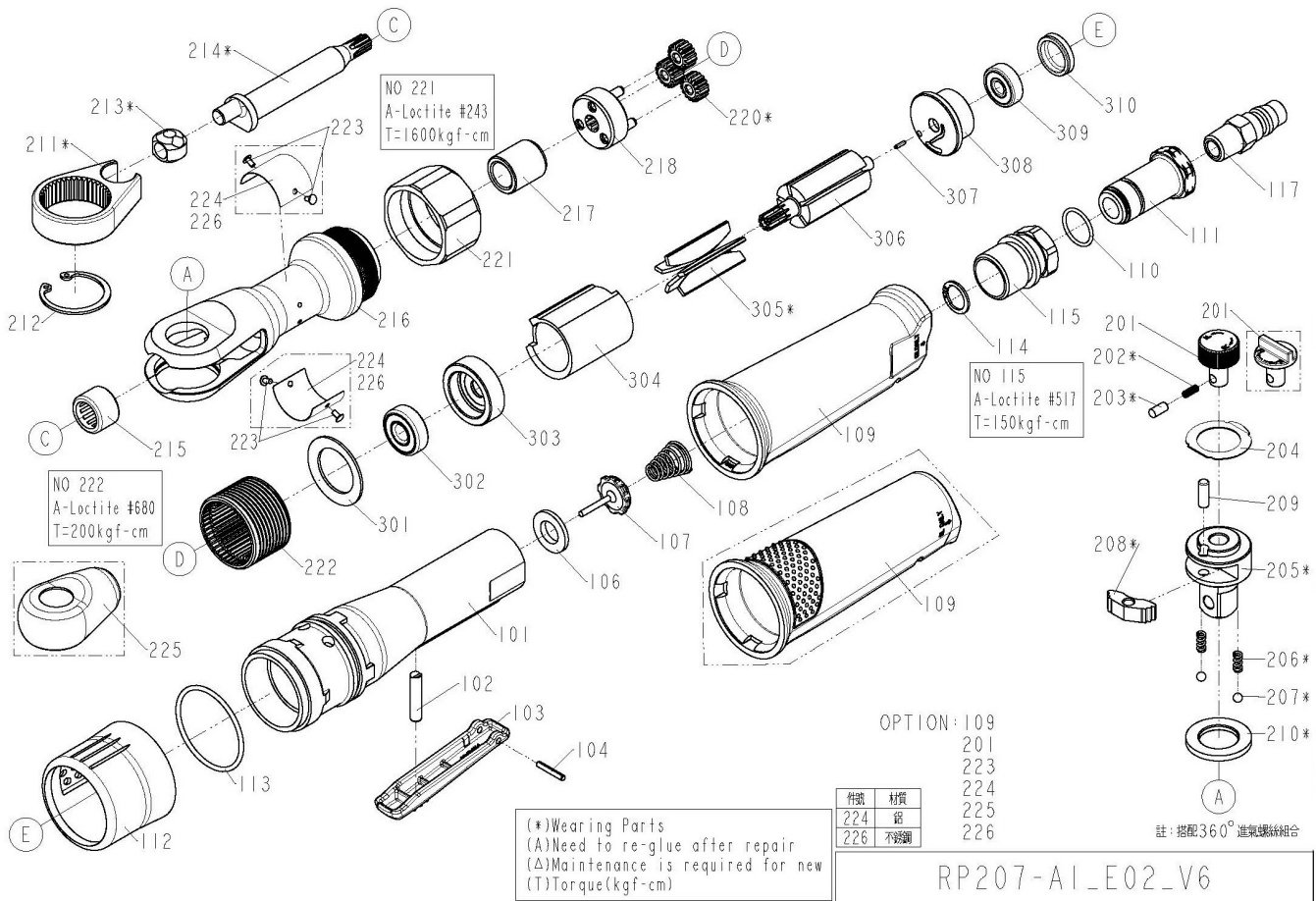


DRIVEN BY AIR.



APP312 - 1/2" Air Ratchet



Ref	PCL Part No	Description	Qty
101	APS312/101	Motor housing	1
102	APS312/102	Valve pin	1
103	APS312/103	Trigger	1
104	APS312/104	Spring pin	1
106	APS312/106	Seal	1
107	APS312/107	Tip valve	1
108	APS312/108	Spring	1
109	APS312/109	Handle grip	1
110	APS312/110	O-ring	1
111	APS312/111	Air inlet	1
112	APS312/112	Outlet controller	1
113	APS312/113	O-ring	1
114	APS312/114	Ex-concentric ring	1
115	APS312/115	Air inlet	1
201	APS312/201	Reverse lever	1
202	APS312/202	Reverse spring	1
203	APS312/203	Reverse pin	1
204	APS312/204	Anvil washer	1
205	APS312/205	Anvil	1
206	APS312/206	Thrust washer spring	2
207	APS312/207	Ball	2
208	APS312/208	Ratchet pawl	1
209	APS312/209	Planet pin	1

Ref	PCL Part No	Description	Qty
210	APS312/210	Thrust washer	1
211	APS312/211	Yoke	1
212	APS312/212	C-ring	1
213	APS312/213	Drive bushing	1
214	APS312/214	Motor shaft balancer	1
215	APS312/215	Needle bearing	1
216	APS312/216	Ratchet housing	1
217	APS312/217	Bushing	1
218	APS312/218	Planet cage assembly	1
220	APS312/220	Planet gear	3
221	APS312/221	Lock ring	1
222	APS312/222	Internal gear	1
301	APS312/301	Lock washer	1
302	APS312/302	Bearing	1
303	APS312/303	Front plate	1
304	APS312/204	Cylinder	1
305	APS312/305	Blades	5
306	APS312/306	Rotor	1
307	APS312/307	Spring pin	1
308	APS312/308	Real plate	1
309	APS312/309	Bearing	1
310	APS312/310	Housing cover	1