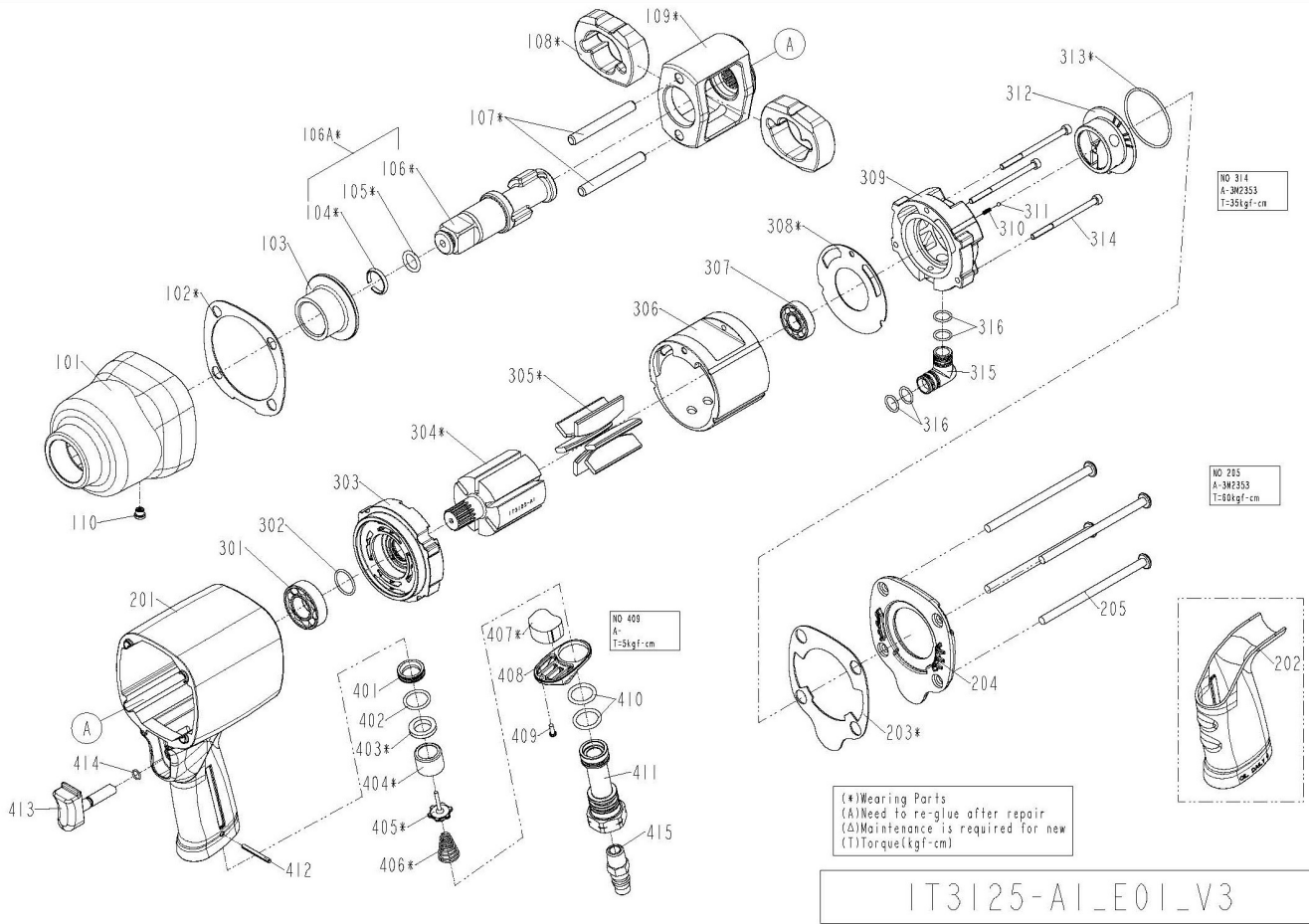


APP234 - 3/4" Impact Wrench



Ref	PCL Part No	Description	Qty	Ref	PCL Part No	Description	Qty
101	APS234/101	Hammer case	1	308	APS234/308	Regulator base gasket	1
102	APS234/HCG	Hammer case gasket	1	309	APS234/309	Regulator base	1
103	APS234/103	Hammer case bushing	1	310	APS234/310	Spring	1
104	APS234/104	Socket retainer	1	311	APS234/311	Steel ball	1
105	APS234/105	O-ring	1	312	APS234/312	Reverse valve	1
106	APS234/106	Anvil	1	313	APS234/313	O-ring	1
106A	APS234/106A	Anvil unit	1	314	APS234/314	Hex soc HD bolt	3
107	APS234/107	Hammer pin	2	315	APS234/315	Inlet	1
108	APS234/HMR	Hammer	2	316	APS234/316	O-ring	4
109	APS234/109	Hammer frame	1	401	APS234/401	Insert bushing	1
110	APS234/110	Hammer case grease fitting	1	402	APS234/402	O-ring	1
201	APS234/201	Housing	1	403	APS234/403	Seal unit	1
202	APS234/202	Handle grip	1	404	APS234/404	Bushing	1
203	APS234/203	Rear cover gasket	1	405	APS234/405	Tip valve	1
204	APS234/204	Rear cover	1	406	APS234/406	Spring	11
205	APS234/205	Half round HD star head bolt	4	407	APS234/407	Muffler	1
301	APS234/301	Bearing	1	408	APS234/408	Deflector	1
302	APS234/302	O-Ring	1	409	APS234/409	Tap bolt	1
303	APS234/303	Front bearing plate	1	410	APS234/410	O-ring	2
304	APS234/304	Rotor	1	411	APS234/411	Air inlet	1
305	APS234/RBS	Blades	6	412	APS234/412	Spring pin	1
306	APS234/306	Cylinder	1	413	APS234/413	Trigger	1
307	APS234/307	Bearing	1	414	APS234/414	O-ring	1